

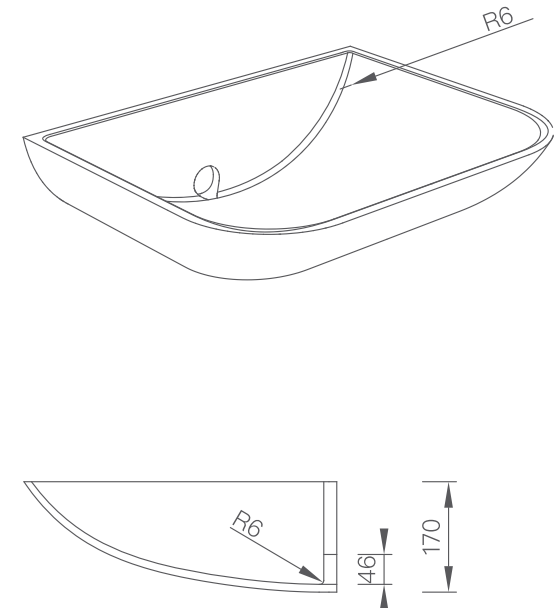
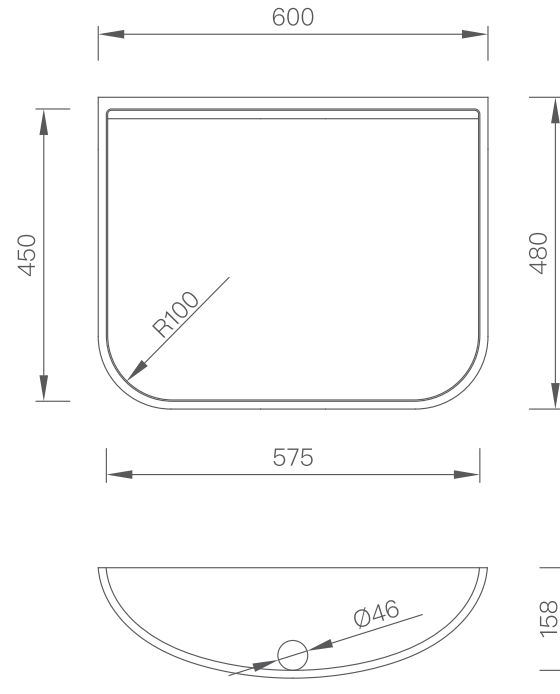
## Healthcare 334 (CAVHC-334-GW)

**External dimensions**  
600 x 480mm

**Internal size**  
575 x 450 x 158mm

**Dyson Airblade Tap hand dryer compatibility**  
AB11

Fittings for wall-hung installation included



Healthcare Basin